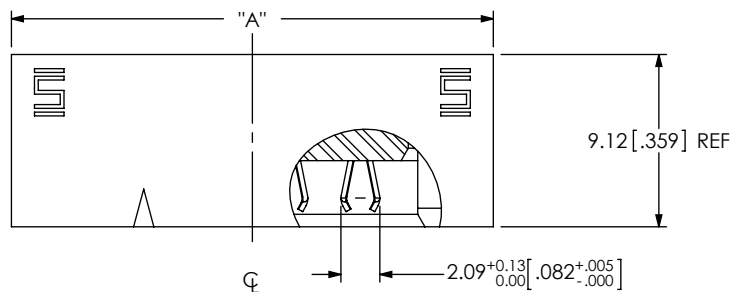


DESIGNED & DIMENSIONED
IN MILLIMETERS [INCHES]

FIG 1
(UPT-04-01-X-RA-X SHOWN)



UPT-XX-01-XX-X-RA-XX-XX

No OF POSITIONS
-02: 2 POSITIONS
-04: 4 POSITIONS
-06: 6 POSITIONS
-08: 8 POSITIONS

LEAD STYLE
-01

TAIL LENGTH
-01: FOR 1.57 [.062] THICK PCB
(USE SUB-T-1M70-01-X)
-02: FOR 2.36 [.093] THICK PCB
(USE SUB-T-1M70-02-X)

PACKAGING OPTION
-TR: TAPE AND REEL

OPTION
-LC: LOCKING CLIP
-RIGHT ANGLE

PLATING
-L: LIGHT SELECTIVE, 10 AU/50 NI
MIN ON CONTACT, TIN ON TAIL
-T: TIN, TIN ALL OVER

DO NOT
SCALE FROM
THIS PRINT

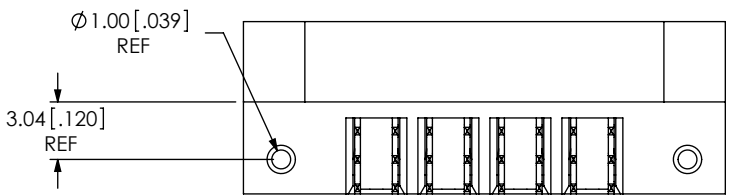
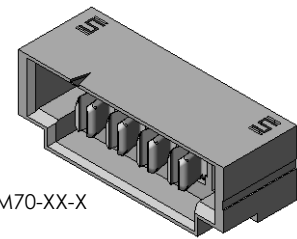
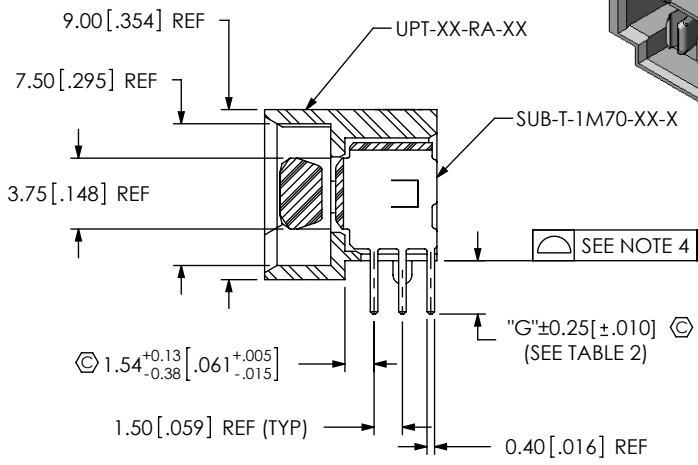
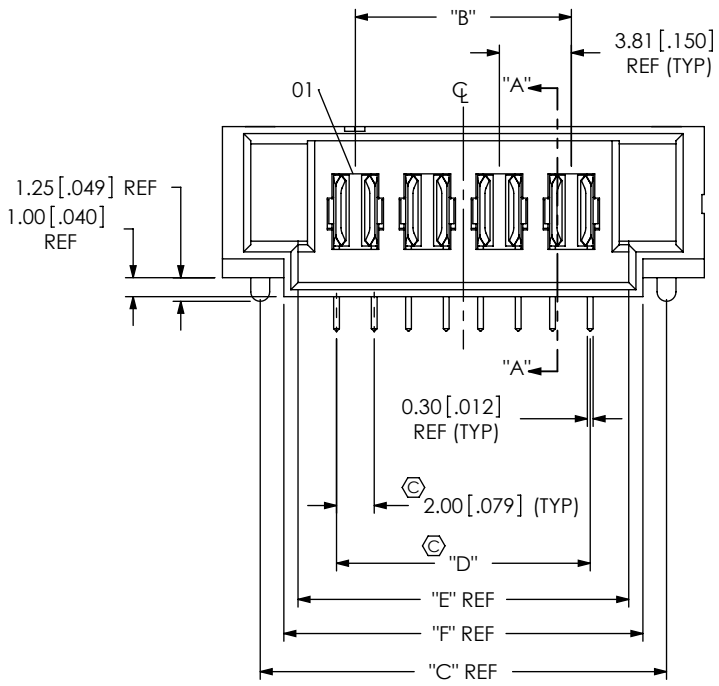


TABLE 2

TAIL LENGTH	"G"	SUB-T-1M70-XX-X
-01	2.82 [0.111]	SUB-T-1M70-01-X
-02	3.58 [0.141]	SUB-T-1M70-02-X

TABLE 1

PART NUMBER	"A"	"B"	"C"	"D"	"E"	"F"
UPT-02-XX-X-RA-XX	17.88 [.704]	3.81 [.150]	13.88 [.546]	5.82 [.229]	9.88 [.389]	11.38 [.448]
UPT-04-XX-X-RA-XX	25.50 [1.004]	11.43 [.450]	21.50 [.846]	13.44 [.529]	17.50 [.689]	19.00 [.748]
UPT-06-XX-X-RA-XX	33.12 [1.304]	19.05 [.750]	29.12 [1.146]	21.06 [.829]	25.12 [.989]	26.62 [1.048]
UPT-08-XX-X-RA-XX	40.74 [1.604]	26.67 [1.050]	36.74 [1.446]	28.68 [1.129]	32.74 [1.289]	34.24 [1.348]

- NOTES:
1. Ⓞ REPRESENTS A CRITICAL DIMENSION.
 2. BURR ALLOWANCE: 0.038 [.0015] MAX.
 3. MINIMUM PUSHOUT FORCE: 4.5N [1.0 LB].
 4. MAXIMUM ALLOWABLE BOW: .15 [.006].
 5. MINIMUM -LC PULL OUT FORCE: 2.23 N [0.5 LB]

UNLESS OTHERWISE SPECIFIED, DIMENSIONS ARE IN MILLIMETERS TOLERANCES ARE: DECIMALS ANGLES X.X: ±0.3 [.01] 2° X.XX: ±0.13 [.005] X.XXX: ±0.051 [.0020]	PROPRIETARY NOTE THIS DOCUMENT CONTAINS INFORMATION CONFIDENTIAL AND PROPRIETARY TO SAMTEC, INC. AND SHALL NOT BE REPRODUCED OR TRANSFERRED TO OTHER DOCUMENTS OR DISCLOSED TO OTHERS OR USED FOR ANY PURPOSE OTHER THAN THAT WHICH IT WAS OBTAINED WITHOUT THE EXPRESSED WRITTEN CONSENT OF SAMTEC, INC.		
		520 PARK EAST BLVD, NEW ALBANY, IN 47150 PHONE: 812-944-6733 FAX: 812-948-5047 e-Mail: info@SAMTEC.com code: 55322	
MATERIAL: DO NOT SCALE DRAWING SHEET SCALE: 1:0.4 INSULATOR: LCP, COLOR: BLACK UL 94 VO TERMINAL: BeCu LOCKING CLIP: PHOS BRONZE		DESCRIPTION: UPT-RA, ASSEMBLY	
		DWG. NO. UPT-XX-01-XX-X-RA-XX-XX	
BY: B RAY 10/01/2008		SHEET 1 OF 2	

FIG 2
(UPT-04-01-X-RA-X-LC SHOWN)
(SAME AS FIG 1, DIFFERENT AS SHOWN)

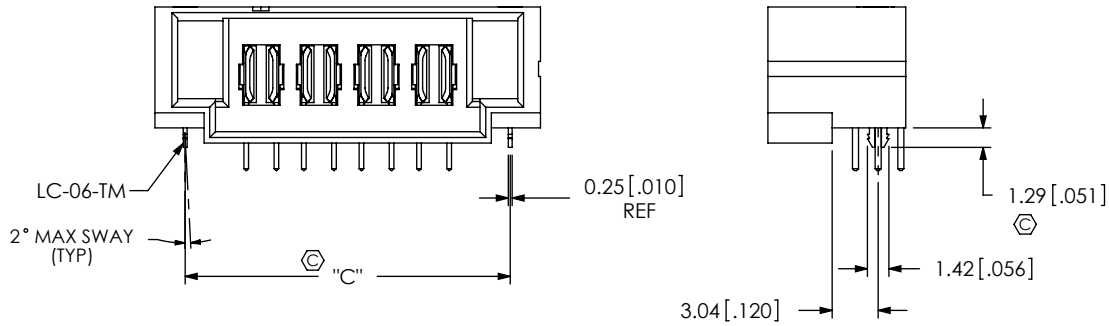


TABLE 3

PLATING	POWER PIN CONTACT AREA	POWER PIN TAIL
-L	LIGHT GOLD	MATTE TIN
-T	MATTE TIN	MATTE TIN

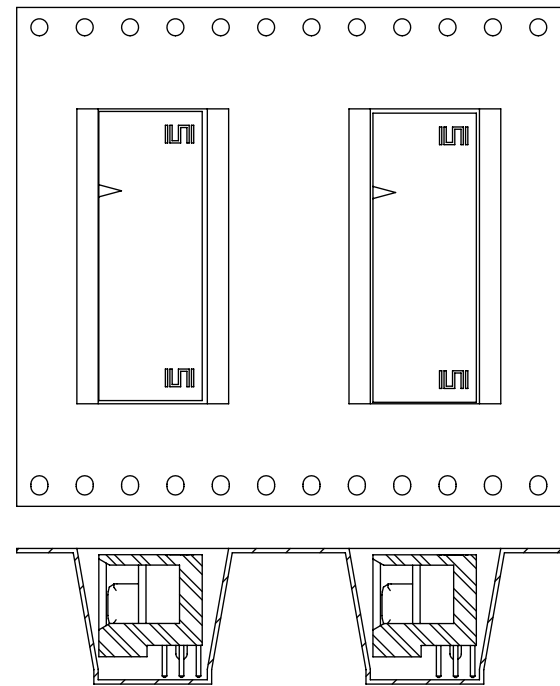
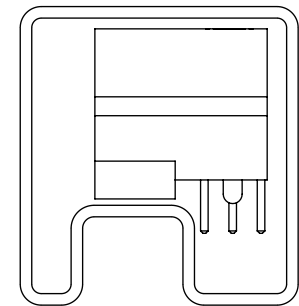


FIG 3
-TR: PACKAGING VIEW
TAPE AND REEL



PACKAGING TUBE VIEW

TUBE TABLE

TAIL LENGTH	TUBE	PLUG
ALL	PT-1-24-01-40	TP-13

PROPRIETARY NOTE
THIS DOCUMENT CONTAINS INFORMATION
CONFIDENTIAL AND PROPRIETARY TO
SAMTEC, INC. AND SHALL NOT BE REPRODUCED
OR TRANSFERRED TO OTHER DOCUMENTS OR
DISCLOSED TO OTHERS OR USED FOR ANY
PURPOSE OTHER THAN THAT WHICH IT WAS
OBTAINED WITHOUT THE EXPRESSED WRITTEN
CONSENT OF SAMTEC, INC.

DO NOT SCALE DRAWING

SHEET SCALE: 1:0.333333

samtec

520 PARK EAST BLVD, NEW ALBANY, IN 47150
PHONE: 812-944-6733 FAX: 812-948-5047
e-Mail: info@SAMTEC.com code: 55322

DESCRIPTION: UPT-RA, ASSEMBLY

DWG. NO. UPT-XX-01-XX-X-RA-XX-XX

BY: B RAY 10/01/2008 SHEET 2 OF 2