

DESIGNED & DIMENSIONED
IN MILLIMETERS [INCHES]

FIG 1
(UPT-04-03.0-0T-X-V SHOWN)

DO NOT
SCALE FROM
THIS PRINT

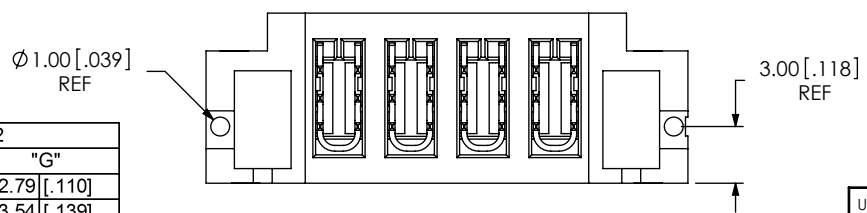
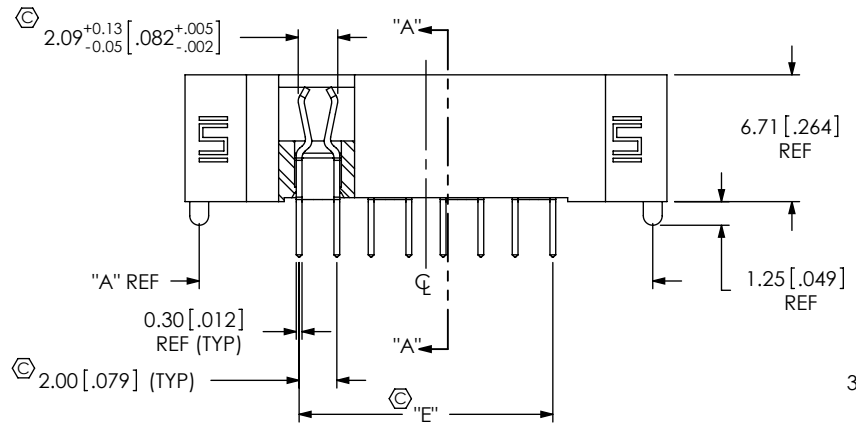
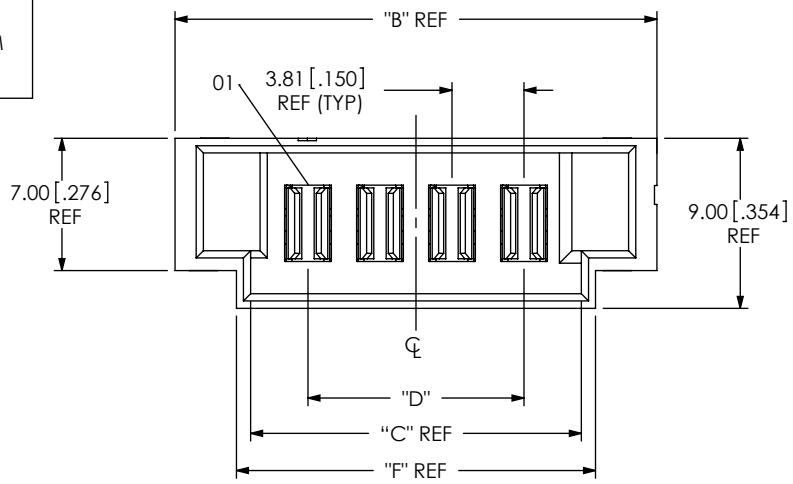


TABLE 2

TAIL LENGTH	"G"
-01	2.79 [.110]
-02	3.54 [.139]
-03	2.33 [.092]

TABLE 1

PART NUMBER	"A"	"B"	"C"	"D"	"E"	"F"
UPT-02-03.0-XX-X-V-XX	16.38 [.645]	17.88 [.704]	9.88 [.389]	3.81 [.150]	5.82 [.229]	11.38 [.448]
UPT-04-03.0-XX-X-V-XX	24.00 [.945]	25.50 [1.004]	17.50 [.689]	11.43 [.450]	13.44 [.529]	19.00 [.748]
UPT-06-03.0-XX-X-V-XX	31.62 [1.245]	33.12 [1.304]	25.12 [.989]	19.05 [.750]	21.06 [.829]	26.62 [1.048]
UPT-08-03.0-XX-X-V-XX	39.24 [1.545]	40.74 [1.604]	32.74 [1.289]	26.67 [1.050]	28.68 [1.129]	34.24 [1.348]

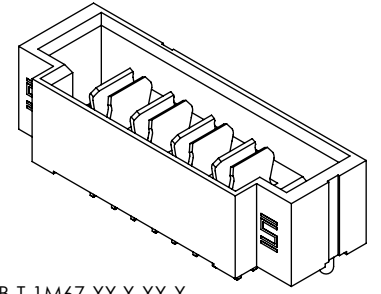
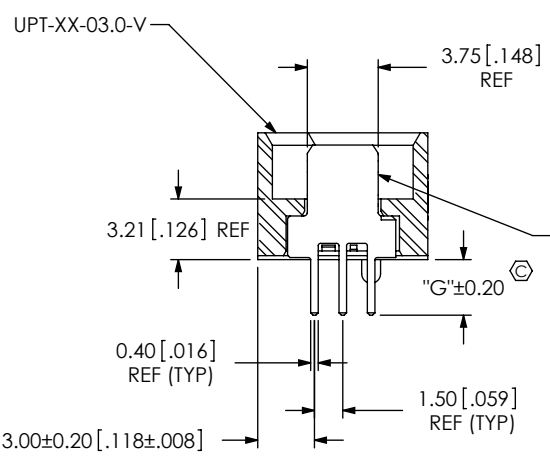
UPT-XX-XX.X-XX-X-XX-XX-XX

- No. OF POSITIONS
 -02: 2 POSITIONS
 -04: 4 POSITIONS
 -06: 6 POSITIONS
 -08: 8 POSITIONS

HEIGHT
 -03.0

- OPTION
 TAPE & REEL
 OPTION
 -LC: LOCKING CLIP
 (AVAILABLE WITH -V OPTION ONLY)
 TAIL OPTION
 -VERTICAL
 -PV: PRESS FIT VERTICAL
 (ONLY AVAILABLE ON -03 TAIL LENGTH)

- TAIL LENGTH
 -01: FOR 1.57 [.062] THICK PCB (SEE FIG 1)
 (USE SUB-T-1M67-XX.X-01-X)
 -02: FOR 2.36 [.093] THICK PCB (SEE FIG 2)
 (USE SUB-T-1M67-XX.X-02-X)
 -03: PRESS-FIT FOR 1.57 [.062] THICK PCB AND UP
 (USE SUB-T-1M95-XX.X-X) (SEE FIG 3)
 (SEE NOTE 7)



SECTION "A"-A"

NOTES:

- ⊕ REPRESENTS A CRITICAL DIMENSION.
- BURR ALLOWANCE: 0.038 [.0015] MAX.
- MINIMUM PUSHOUT FORCE: 4.45N [1.0 LB].
- MAXIMUM BOW: 0.15 [.006].
- MINIMUM -LC PULL OUT FORCE: 2.23 N [0.5 LB]
- PARTS TO BE PACKAGED IN TUBES UNLESS OTHERWISE STATED.
- APPLICATION TOOLING REQUIRED FOR PV TAIL LENGTH CONTACT IPG.

UNLESS OTHERWISE SPECIFIED,
 DIMENSIONS ARE IN MILLIMETERS.
 TOLERANCES ARE:
 DECIMALS ANGLES
 X.X: ±0.3 [.01]
 X.XX: ±0.13 [.005]
 X.XXX: ±0.051 [.0020]

PROPRIETARY NOTE
 THIS DOCUMENT CONTAINS INFORMATION
 CONFIDENTIAL AND PROPRIETARY TO
 SAMTEC, INC. AND SHALL NOT BE REPRODUCED
 OR TRANSFERRED TO OTHER DOCUMENTS OR
 DISCLOSED TO OTHERS OR USED FOR ANY
 PURPOSE OTHER THAN THAT WHICH IT WAS
 OBTAINED WITHOUT THE EXPRESSED WRITTEN
 CONSENT OF SAMTEC, INC.



520 PARK EAST BLVD, NEW ALBANY, IN 47150
 PHONE: 812-944-6733 FAX: 812-948-5047
 e-Mail: info@SAMTEC.com code: 55322

MATERIAL: DO NOT SCALE DRAWING SHEET SCALE: 1:0.4
 INSULATOR: LCP, COLOR: BLACK UV 94 VO
 TERMINAL: BeCu
 LOCKING CLIP: PHOS BRONZE

DESCRIPTION:
 UPT-V, ASSEMBLY

DWG. NO.
 UPT-XX-XX.X-XX-X-XX-XX-XX

BY: B RAY 08/21/2008 SHEET 1 OF 2

FIG 2
(UPT-04-03.0-02-X-V-LC SHOWN)
(SAME AS FIG 1, DIFFERENT AS SHOWN)

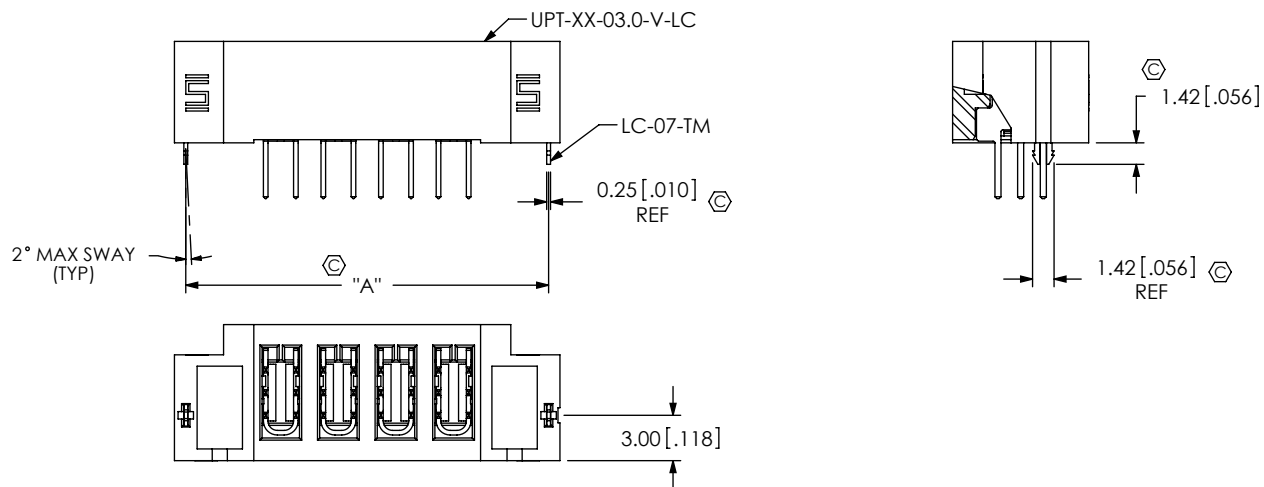
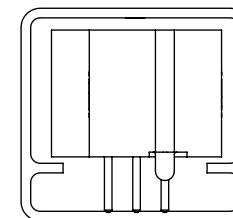
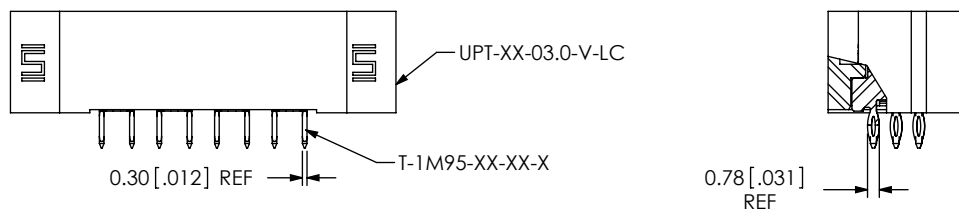
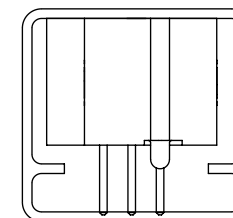


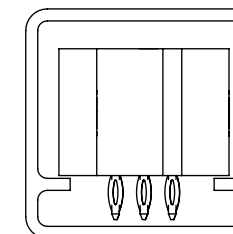
FIG 3
(UPT-04-03-X-PV SHOWN)
(SAME AS FIG 1, DIFFERENT AS SHOWN)



-01 TAIL LENGTH



-02 TAIL LENGTH



-03 TAIL LENGTH

PACKAGING TUBE VIEW

TUBE TABLE		
TAIL LENGTH	TUBE	PLUG
-01	PT-YFW-07F-P	TP-29
-02	PT-YFW-07F-P	TP-29
-03	PT-YFW-07F-P	TP-29

TABLE 3		
PLATING	POWER PIN CONTACT AREA	POWER PIN TAIL
-L	LIGHT GOLD	MATTE TIN
-T	MATTE TIN	MATTE TIN

PROPRIETARY NOTE

THIS DOCUMENT CONTAINS INFORMATION CONFIDENTIAL AND PROPRIETARY TO SAMTEC, INC. AND SHALL NOT BE REPRODUCED OR TRANSFERRED TO OTHER DOCUMENTS OR DISCLOSED TO OTHERS OR USED FOR ANY PURPOSE OTHER THAN THAT WHICH IT WAS OBTAINED WITHOUT THE EXPRESSED WRITTEN CONSENT OF SAMTEC, INC.

DO NOT SCALE DRAWING

SHEET SCALE: 3:1



520 PARK EAST BLVD, NEW ALBANY, IN 47150
PHONE: 812-944-6733 FAX: 812-948-5047
e-Mail: info@SAMTEC.com code: 55322

DESCRIPTION:

UPT-V, ASSEMBLY

DWG. NO.

UPT-XX-XX.X-XX-X-XX-XX-XX

BY: B RAY

08/21/2008

SHEET 2 OF 2