

UBBL19

Technical Datasheet



Features

- Off-the-shelf convenience
- Wire or connector terminals
- Full circuit protection
- Meets all UN transportation testing
- Long cycle life
- High energy density
- Wide operating temperature range
- Lightweight
- No memory effect

Applications

- Portable electronics
- Hand-held devices
- Medical equipment
- Back-up power

Accessories Optional

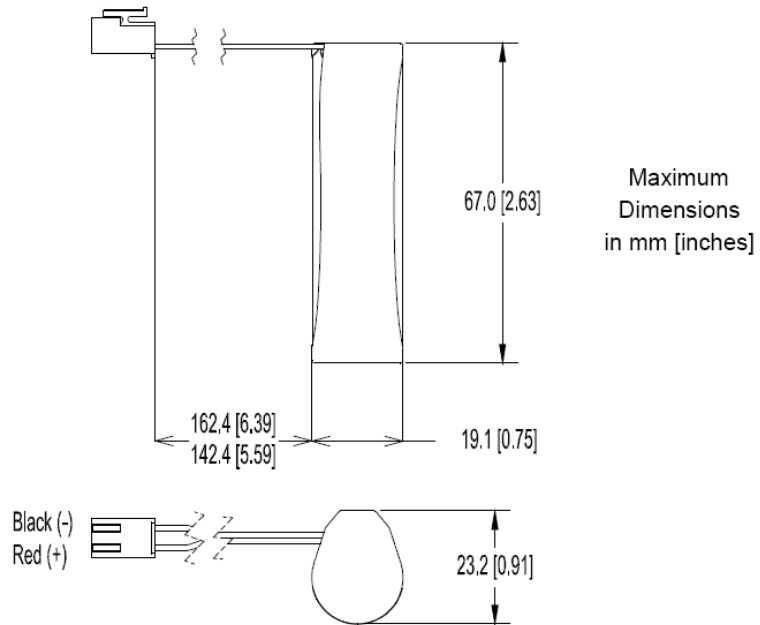
- UCH0036-S: Wall Wart charger (U.S.)
- UCH0036-I: Wall Wart charger (International)
- UCA0102-01: Interface cable for UBBL19-FL
- UCA0102-02: Interface cable for UBBL19-C1

Technical Specifications

Part No.	UBBL19-FL or UBBL19-C1
Voltage Range	3.0 to 4.2V
Average Voltage	3.6V
Capacity	2.4Ah @ C/5 Rate @ 23°C±2°C
Max. Discharge	2.5A continuous
PTC	Rated for 2.6A hold current @ 20°C
Energy	8.6Wh
Energy Density	172Wh/kg, 430Wh/l
Weight	~52g
Cycle Life	> 300 cycles @ C/5 to 80% of initial capacity
Memory	No Memory Effect
Operating Temperature	-20°C to 60°C
Storage Temperature	-20°C to 50°C
Self-Discharge	< 10% per month
Exterior/Housing	PVC Shrink Wrap
Terminals/Connector	FL: 22 AWG wire leads Red (+), Black (-) C1: JST Connector VHR-2N
Safety	Material Safety Datasheet - MSDS041 Safety Guide UBI-5112
Transportation	Exempted from regulations for packages with gross mass of 10kg or less (see note)
Protection Circuit Module and Fuses	Over Voltage Limit: 4.35±0.025V (per cell) Under Voltage Limit: 2.50±0.1V (per cell) Over Discharge Current Limit: 3.4 - 4.5A
Charging	Recommended charge rate is 466mA to 4.2V in a temperature range of 0°C to 45°C. Hold at 4.2V until current declines to 50mA. Maximum charge rate is 1.63A @ 23°±2°C.
Note	A complete description of transportation regulations, lithium weights and transportation classifications is available on the Ultralife website.

Dimensions

UBBL19-FL: Wire Leads
 UBBL19-C1: Connector



Performance Graphs

