

X5 Battery Cradle

Preliminary Technical Datasheet



Technical Specifications															
Model No.	UCA-X5														
Part No.	UCA-X5														
Weight	0.5Kg														
Operating Temperature	-10°C to +50°C														
Storage Temperature	-20°C to +60°C														
Construction	Mounting Bracket: Aluminum (Traffic White) Battery Receptacle: PC/ABS (Traffic White)														
Size	Width: 129.9mm (5.11in) Depth: 95.4mm (3.76in) Height: 324.4mm (12.77in)														
Maximum Current	20A														
Connection (Battery)	Spring loaded, gold plated contacts														
Pin assignment	<table border="0"> <tr><td>1</td><td>Battery Negative</td></tr> <tr><td>2</td><td>Enable¹</td></tr> <tr><td>3</td><td>Thermistor</td></tr> <tr><td>4</td><td>SMBus Clock</td></tr> <tr><td>5</td><td>SMBus Data</td></tr> <tr><td>6</td><td>Battery Positive</td></tr> </table>	1	Battery Negative	2	Enable ¹	3	Thermistor	4	SMBus Clock	5	SMBus Data	6	Battery Positive		
1	Battery Negative														
2	Enable ¹														
3	Thermistor														
4	SMBus Clock														
5	SMBus Data														
6	Battery Positive														
Connection (Host)	7W2 female D-Sub														
Pin assignment	<table border="0"> <tr><td>A1</td><td>Battery Positive</td></tr> <tr><td>1</td><td>Thermistor</td></tr> <tr><td>2</td><td>Communication Ground¹</td></tr> <tr><td>3</td><td>SMBus Data</td></tr> <tr><td>4</td><td>SMBus Clock</td></tr> <tr><td>5</td><td>5V ancillary supply²</td></tr> <tr><td>A2</td><td>Battery Negative</td></tr> </table>	A1	Battery Positive	1	Thermistor	2	Communication Ground ¹	3	SMBus Data	4	SMBus Clock	5	5V ancillary supply ²	A2	Battery Negative
A1	Battery Positive														
1	Thermistor														
2	Communication Ground ¹														
3	SMBus Data														
4	SMBus Clock														
5	5V ancillary supply ²														
A2	Battery Negative														
Compatibility	Ultralife URB-X5 Battery														
Notes	<ol style="list-style-type: none"> In the standard UCA-X5, the battery is automatically enabled when the battery is inserted into the cradle. If required, the Enable feature can be activated remotely via Pin 2 of the 7W2 D sub connector. Contact Ultralife for details. 5V ancillary supply is available whenever a charged battery is installed. The 5V supply is limited to 100mA 														

Features & Benefits

- Slender aluminum bracket permits multiple mounting locations
- Battery receptacle with 15° of tilt allows battery to be easily inserted and removed
- Durable battery locking latch with single handed release
- Single D-sub connector with access to both power and communications simplifies wiring
- 5V ancillary supply to power external low power devices

Applications

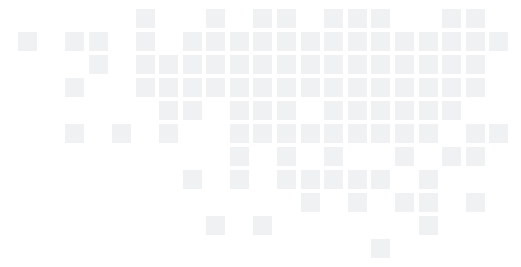
- Medical carts
- Warehouse terminals

Included Cable

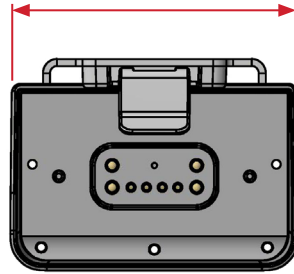
- 56501310: Attaches to the URS-X5 Power System (see image below)



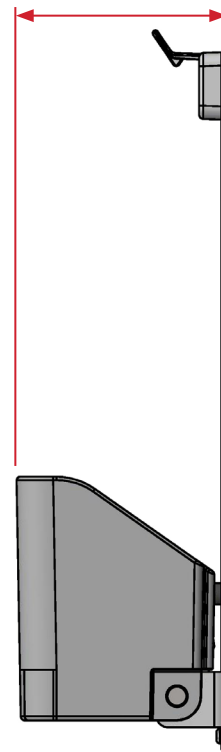
Dimensions



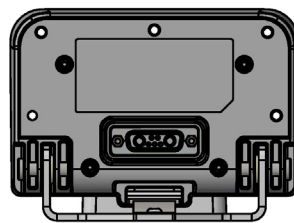
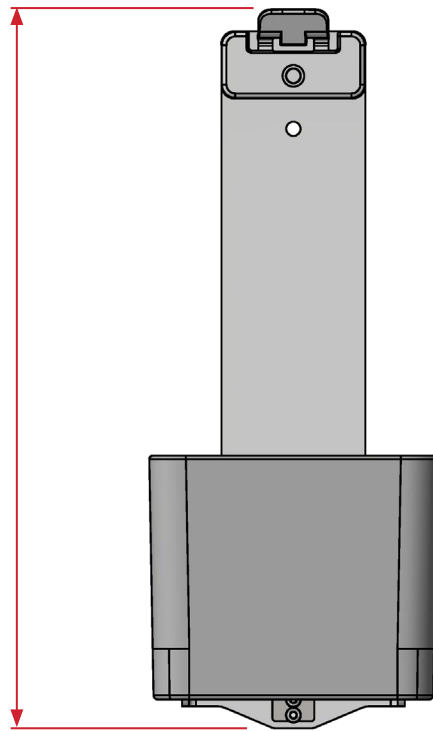
129.9mm (5.11in)



95.4mm (3.76in)



324.4mm (12.77in)



UCA-X5

Newark, New York | +1 315-332-7100 | Fax: +1 315-331-7800

©2023 Ultralife Corporation • www.ultralifecorp.com • All information is subject to change without notice.

The information contained herein is for reference only and does not constitute a warranty of performance. • 05 APR 23 UBM-0138 Rev: D