

# URB0014-SMB: Li-ion Multi-Kilowatt Module

## Technical Datasheet



### Features

- High energy density
- Wide operating temperature range
- Meets demanding requirements of high power devices
- Forced air cooling
- Capable of 3,000+ cycles with over 80% retained capacity
- Direct replacement for 1-5kWh Lead-acid batteries in 24V or 48V applications
- State-of-the-art Lithium Iron Phosphate advanced battery chemistry
- Rapid charge capability
- Form-C contact function
- Fits two, side by side, on 19" rack shelf
- Terminal block connections for: main power, low power mode enable, alarm relay, status LED

### Applications

- In-line power back-up
- Supplemental / Reserve power
- Telecom
- Data centers
- Emergency power
- Remote portable power

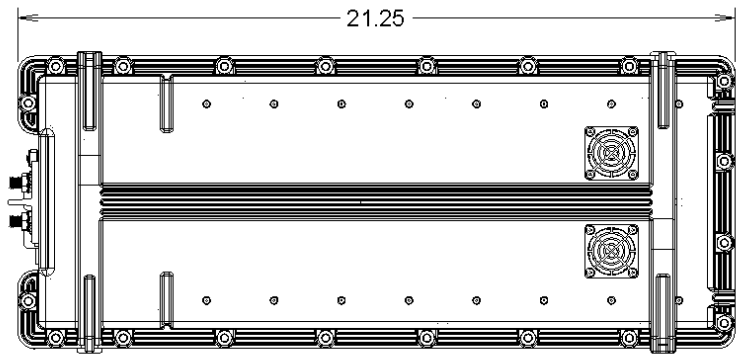
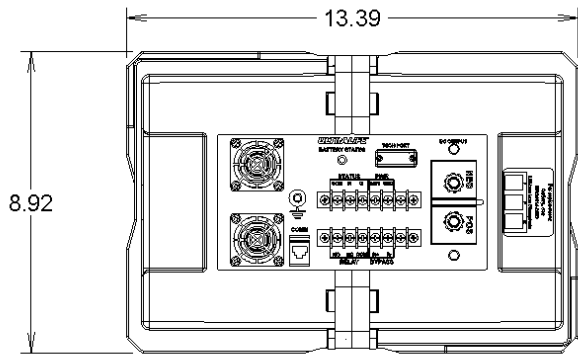
### Optional Accessories

- Balance / Form-C connector
- Integration accessory kit
- UCH0059 charger

### Technical Specifications

Part No	URB0014-SMB
Voltage Range	24.0V – 28.8V
Average Voltage	25.6V
Capacity	100Ahr
Max. Discharge	100A continuous
Max. Pulse Discharge	125A for 2 seconds, 200A for 500µSec
Energy	2,400Wh
Energy Density	69Wh/Kg
Weight	34.9Kg (77lb)
Cycle Life	≥3000 cycles @ 1C to 80% of initial capacity
Memory	No Memory Effect
Operating Temperature	-20°C to +65°C
Charge Temperature	+5°C to +45°C
Storage Temperature	-30°C to +70°C
Self-Discharge	<5% per month
Exterior/Housing	Gray, ABS Plastic
Terminals/Connector	Stud terminals, 5/16-18 UNC thread
Status Indicators	Green: LED "On", Red: LED "Fault"
Safety	Material Safety Datasheet – MSDS00152 Safety Guide UBM-5112
Protection	Over Voltage Limit: 3.9V/cell, approx. 29VDC Under Voltage Limit: 2.5V/cell, approx. 22VDC Over Discharge Current Limit: 120A Automotive grade 175A UL rated fuse
Transportation	UN 3480 Dangerous Goods Class 9, Total Energy >300Wh If packed in or with equipment (UN 3481) contact Ultralife for guidance or other questions.
Harmonized Tariff Code	8507.80.0000
Charging	Recommended charge profile is CC/CV at 12A to 28.0VDC @ temperature range 0°C to +45°C with a taper to 5A. Fast charge rate is 20A @ +25°C. Charge rate can be up to 100A, however a charge rate over 20A may reduce cycle life.

# Dimensions



# Performance Graphs

