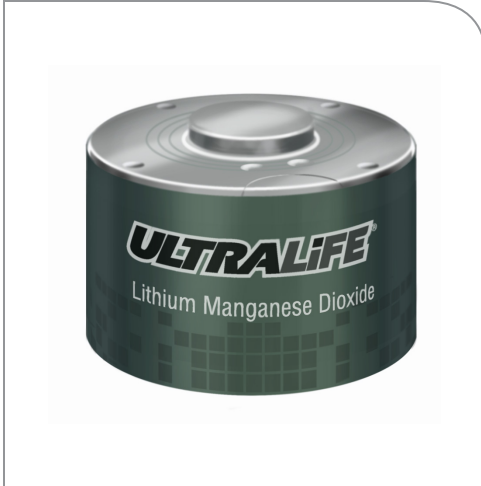


# BA-5367/U

## Technical Datasheet



### Features

- High energy density
- No voltage delay
- Wide operating temperature range
- Lightweight
- Up to 10-year shelf life
- Long operating life
- Cell is hermetically sealed Ni-plated steel can

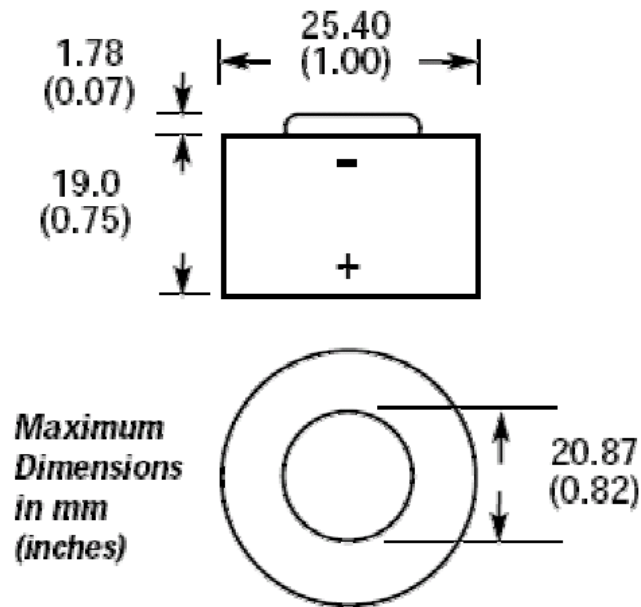
### Applications

- Alternative for BA-5567/U (NSN: 6135-01-447-5082)
- Consumer telematics
- Commercial telematics
- Search & rescue devices
- Military Communications, detectors and imaging
- Medical devices

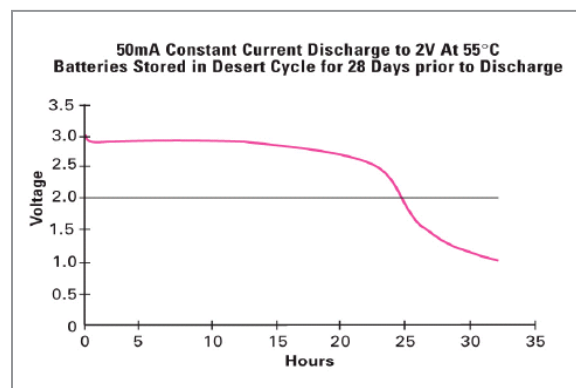
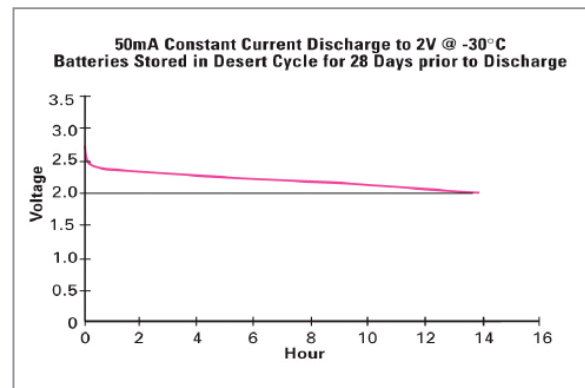
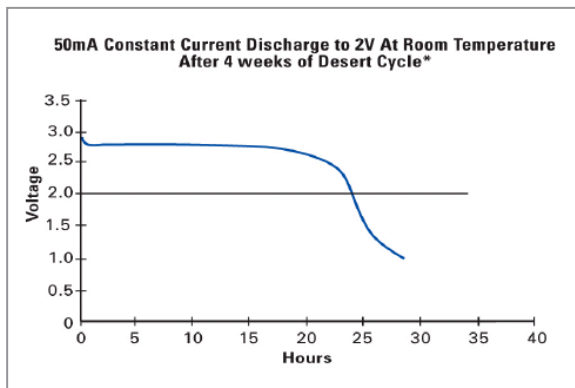
### Technical Specifications

<b>Part No.</b>	UB0006
<b>NSN</b>	6135-01-507-1135
<b>Voltage Range</b>	1.5 to 3.3V
<b>Average Voltage</b>	3.0V
<b>Nominal Capacity</b>	1.3Ah @ 50mA to 2.0V @ 23°C
<b>Max. Discharge</b>	380mA continuous
<b>Pulse Capability</b>	Up to 800mA Varies according to pulse characteristics, temperature, cell history and the application. Consult Ultralife.
<b>Weight</b>	22.0g
<b>Operating Temperature</b>	-40°C to 72°C
<b>Storage Temperature</b>	-40°C to 95°C
<b>Exterior/Housing</b>	Plastic sleeve
<b>Terminals/Connector</b>	Nickel plated contacts
<b>Safety</b>	Material Safety Datasheet - MSDS023 Safety Guide UBM-5135
<b>Transportation</b>	Excepted from regulations for packages with gross mass of 2.5kg or less (see note) UN Testing Summary - UNTS-0076
<b>Export License</b>	ECCN 3A611.x export license required to export from U.S.
<b>Harmonized Tariff Schedule</b>	8506.50.0000
<b>Note</b>	A complete description of transportation regulations, lithium weights and transportation classifications is available on the Ultralife website.

## Dimensions



## Performance Graphs



\* Desert Cycle: 24 hour cycle between 35°C and 71°C